

# Amphenol

## Card Readers

### SIMLOCK® SIM/SAM Card Readers

#### Electrical

Contact resistance - < 30 mΩ  
 Switch contacts - < 60 mΩ  
 Insulation - > 10<sup>9</sup> Ω  
 HighVolt resistance - 500VAC 1 min



Versions with locking detector lid must be unlocked during reflow process or lid can be packaged separately and snapped in place after reflow.

#### Environmental

Temperature - -40°C thru 85°C  
 Vibration - IEC 60512-4, Test 6d  
 Shock - IEC 60512-4, Test 6c

#### Mechanical

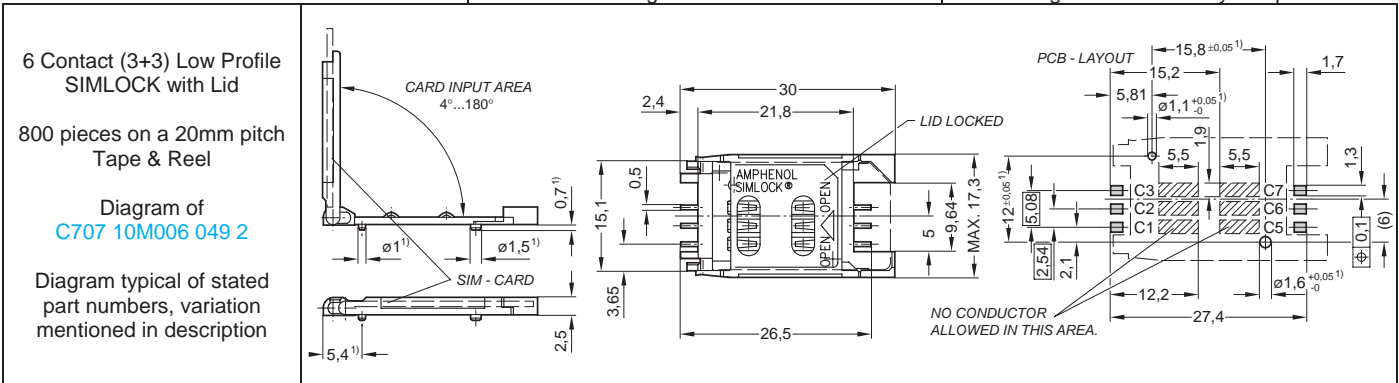
Durability - 5000 Cycles  
 Lid Locking Force - 4~8N  
 IR reflow soldering - 245°C 10s max

#### Switch

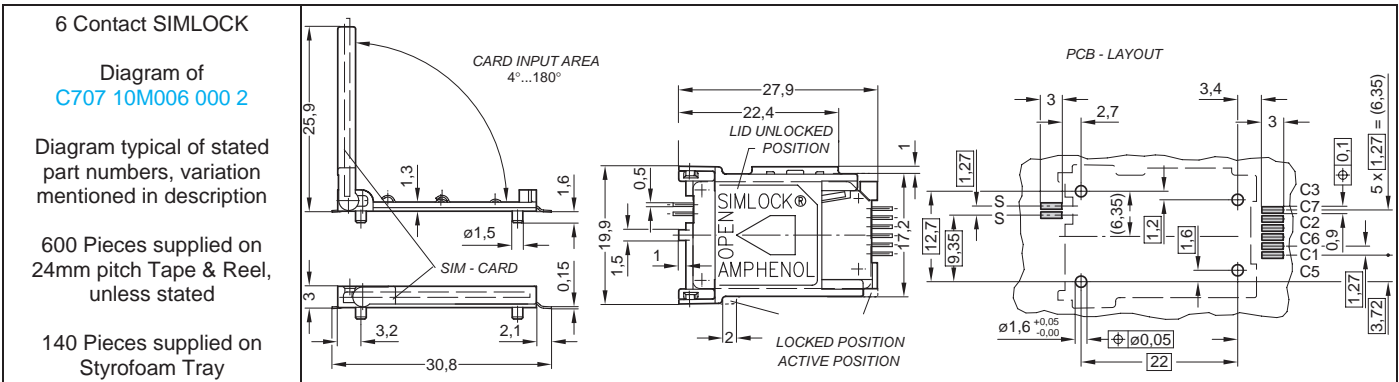
Closed when lid locked  
 Chatter time - < 5 ms

#### Features

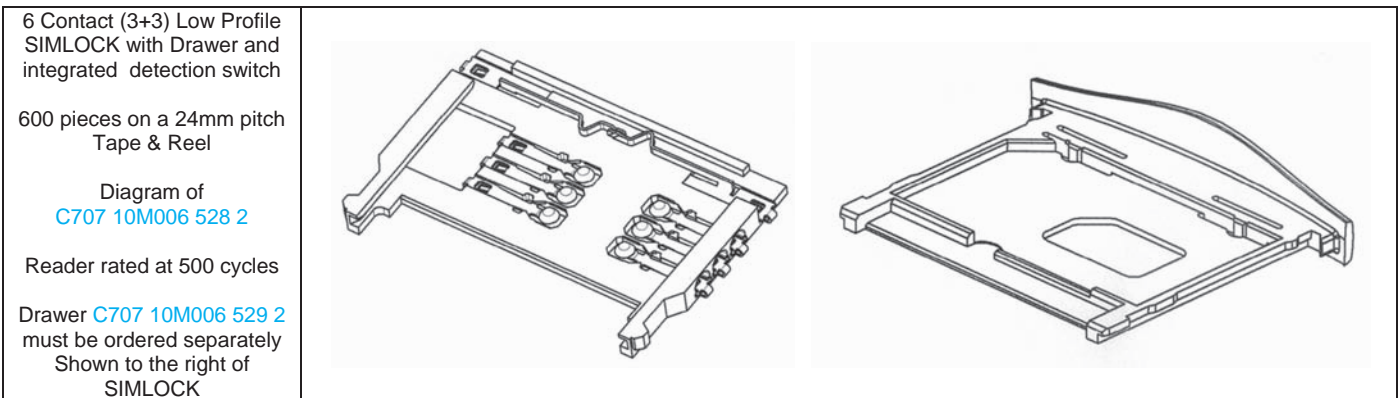
- Same footprint as SIM card
- Polarized
- Suitable for automated assembly
- Custom geometries and layouts possible



Part Number:	Description	Part Number:	Description	Part Number:	Description
C707 10M006 522 2	With Lock Detect Switch	C707 10M006 523 2	With 2 Positioning Pins, Lock Detect Switch	9000 8903 001 KAE	Economical version Performance may vary from the stated. 2.3mm (H), No Position Pins
C707 10M006 049 2	With 2 Positioning Pins	C707 10M006 500 2	No Positioning Pins		
C707 10M006 512 2	Wider Solder Pads, No Position Pins	C707 10M006 535 2	Shielded Metalized Lid, No Position Pins		



Part Number:	Description	Part Number:	Description	Part Number:	Description
C707 10M006 000 2	With Lock Detector, 4 Position Pins, 140 pieces	C707 10M006 007 2	With Lock Detector, 2 Position Pins, 140 pieces	C707 10M006 031 2	Without Lock Detector, 4 Position Pins, 140 pieces
C707 10M006 026 2	Without Lid, 4 Position Pins, 600 pieces, Order Lid separately	C707 10M006 503 2	Without Lid, 2 Position Pins, 600 pieces, Order Lid separately, T&P 20mm		
C707 10M006 001 2	Without Lock Detector, 4 Position Pins, 140 pieces	C707 10M006 021 2	Without Lock Detector, 4 Position Pins, 600 pieces		



Part Number:	Description	Part Number:	Description
C707 10M006 528 2	Drawer SIMLOCK without Drawer	C707 10M006 529 2	Lid for Drawer SIMLOCK

ATEKAE

# Amphenol

## Card Readers

### MONOBLOCK SIM Readers

#### Electrical

Contact resistance - < 30 mΩ  
 U-Form Contacts - < 100 mΩ  
 Switch contacts - < 50 mΩ  
 Insulation - > 10<sup>9</sup> Ω  
 HighVolt resistance - 500VAC 1 min

#### Environmental

Temperature - -40°C thru 85°C  
 Vibration - IEC 60512-4, Test 6d  
 Shock - IEC 60512-4, Test 6c

#### Mechanical

Durability - up to 5000 Cycles  
 IR reflow soldering - 245°C 10s max

#### Features

- According to ISO7816
  - Designed for automated assembly
  - High co-planarity accuracy
  - 6 Contact SMT designed for GSM11.11
  - Spoon contact versions available
- Versions with switches are available

### SIMBLOCK SIM/SAM Card Readers

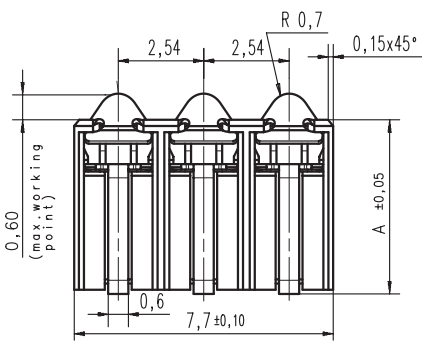
6 Contact (3+3) variable height SIM card readers

Diagram of  
**C707 10M006 1xx 2**

C707 & CAD-0601 types feature spoon contacts for multi-direction card insertion/extraction

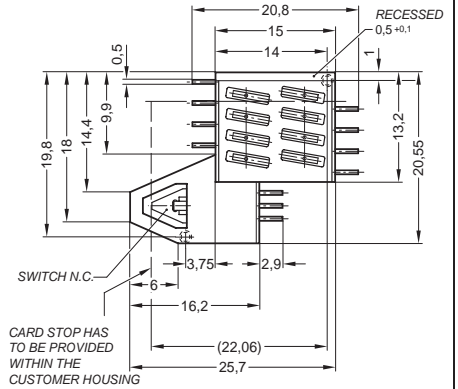
C707 types packed in tape and Reel of 1700 pieces 12mm pitch

C707...ATE  
 CAD...ASCA



**C707 10M006 0xx 2** are 8 Contact (4+4) ISO 7816 readers

Diagram of  
**C707 10M006 053 2**



Part Number:	Part Number:	Description	Part Number:	Part Number:	Description
	<b>CAD-0605-112</b>	Height - 1.1mm	<b>C707 10M006 123 2</b>	<b>CAD-0601-302</b>	Height - 3mm
	<b>CAD-0605-122</b>	Height - 1.2mm	<b>C707 10M006 124 2</b>	<b>CAD-0601-322</b>	Height - 3.2mm
	<b>CAD-0605-132</b>	Height - 1.3mm	<b>C707 10M006 125 2</b>	<b>CAD-0601-342</b>	Height - 3.4mm
	<b>CAD-0605-142</b>	Height - 1.4mm		<b>CAD-0601-362</b>	Height - 3.6mm
	<b>CAD-0605-152</b>	Height - 1.5mm	<b>C707 10M006 126 2</b>		Height - 3.7mm
	<b>CAD-0605-162</b>	Height - 1.6mm		<b>CAD-0601-382</b>	Height - 3.8mm
	<b>CAD-0605-172</b>	Height - 1.7mm	<b>C707 10M006 109 2</b>	<b>CAD-0601-402</b>	Height - 4mm
<b>C707 10M006 131 2</b>	<b>CAD-0605-182</b>	Height - 1.8mm	<b>C707 10M006 127 2</b>		Height - 4.2mm
	<b>CAD-0605-192</b>	Height - 1.9mm	<b>C707 10M006 128 2</b>		Height - 4.4mm
<b>C707 10M006 119 2</b>	<b>CAD-0605-202</b>	Height - 2mm	<b>C707 10M006 117 2</b>		Height - 4.6mm
	<b>CAD-0605-212</b>	Height - 2.1mm	<b>C707 10M006 129 2</b>		Height - 4.8mm
<b>C707 10M006 110 2</b>	<b>CAD-0605-222</b>	Height - 2.2mm	<b>C707 10M006 130 2</b>		Height - 5mm
<b>C707 10M006 120 2</b>	<b>CAD-0601-242</b>	Height - 2.4mm	<b>C707 10M006 052 2</b>		Without Switch
<b>C707 10M006 121 2</b>	<b>CAD-0601-262</b>	Height - 2.6mm	<b>C707 10M006 053 2</b>		With Switch (N/C)
<b>C707 10M006 122 2</b>	<b>CAD-0601-282</b>	Height - 2.8mm	<b>C707 10M006 065 2</b>		With Switch (N/O)

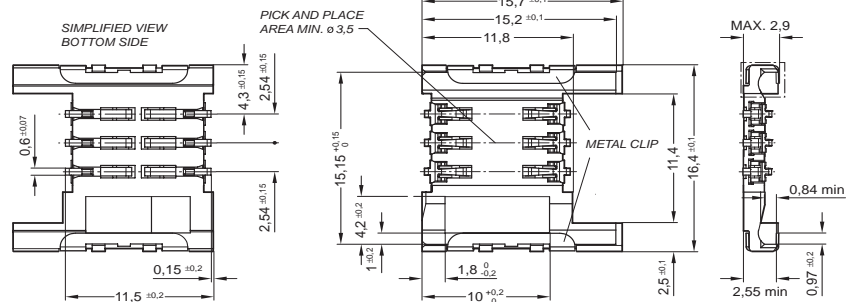
### WINGBLOCK SIM/SAM Card Readers

6 Contact (3+3) SIM card reader with card Guide and Stop

Diagram of  
**C707 10M006 097 2**

\*1000 pieces on a 20mm pitch  
 Tape & Reel

<b>Part Number:</b>	
<b>*C707 10M006 097 2</b>	ATE
<b>9003-06-306</b>	KAE
<b>CAD-06W1-292</b>	ASCA



### BRIDGEBLOCK SIM/SAM Card Readers

6 Contact (3+3) SIM card reader with integrated Card Detection Switch and Metal Cover for Shielding

SMT Solderable

1500 Cycles

<b>Part Number:</b>	
<b>C707 10M006 116 2</b>	ATE/KAE/ASCA

